

### ELECTRONIC NET WEIGHT FILLING AND CLOSING MACHINE FOR 1 GALLON THROUGH 5 GALLON CONTAINERS (OPEN TOP OR F-STYLE)



Ideal-Pak Model ME1-CES Semi-Automatic Net Weight Liquid Filling Machine - Top Fill Configuration\*

#### PRODUCT OVERVIEW

The Ideal-Pak **PERFORMANCE** Line is the economical Semi-Automatic Filling solution. Electronic net weight filling, pneumatic controls, Rice Lake touch pad weight control, single or double filling positions and a variety of closing options handle a wide variety of applications and container sizes.

#### STANDARD PRODUCT FEATURES





- Fill by Weight (Electronic Net Weight Filling)
- Top Fill (Shown) or Bottom Fill (Not Shown)
- 1 Gallon Through 5/6 Gallon Metal or Plastic Containers (Open Top or F-Style)
- Close 1 Gallon Through 5/6 Gallon Open Top Metal or Plastic Containers
- Food-Grade Stainless Steel Wash-down Construction
- Rice Lake Weight Controller with Touch Pad Controls
- Table-Top Chain Conveyor
- Heavy-duty Casters with locks for portability
- Rigid Steel Frame Construction

\* Will also fill 1/2 pint, pint and quart containers if properly configured - consult factory.

#### CONTAINER SIZE

Small Containers	
1/2 Pint	• Pails
Pints	Kegs
• Quarts	Drums
• Gallons	Totes

#### INDUSTRIES SERVED

Paints & Coatings	
Chemicals	
Lubricants	
Food & Beverage	

#### ABOUT IDEAL-PAK

Ideal-Pak Liquid Filling Machines are designed to increase your yields, productivity and efficiency. Choose from Automatic to Semi-Automatic or Manual Configurations to fill small containers up to drums and totes. Ideal-Pak customers are in the paint and coatings, lubricants, chemicals and food & beverage industries.

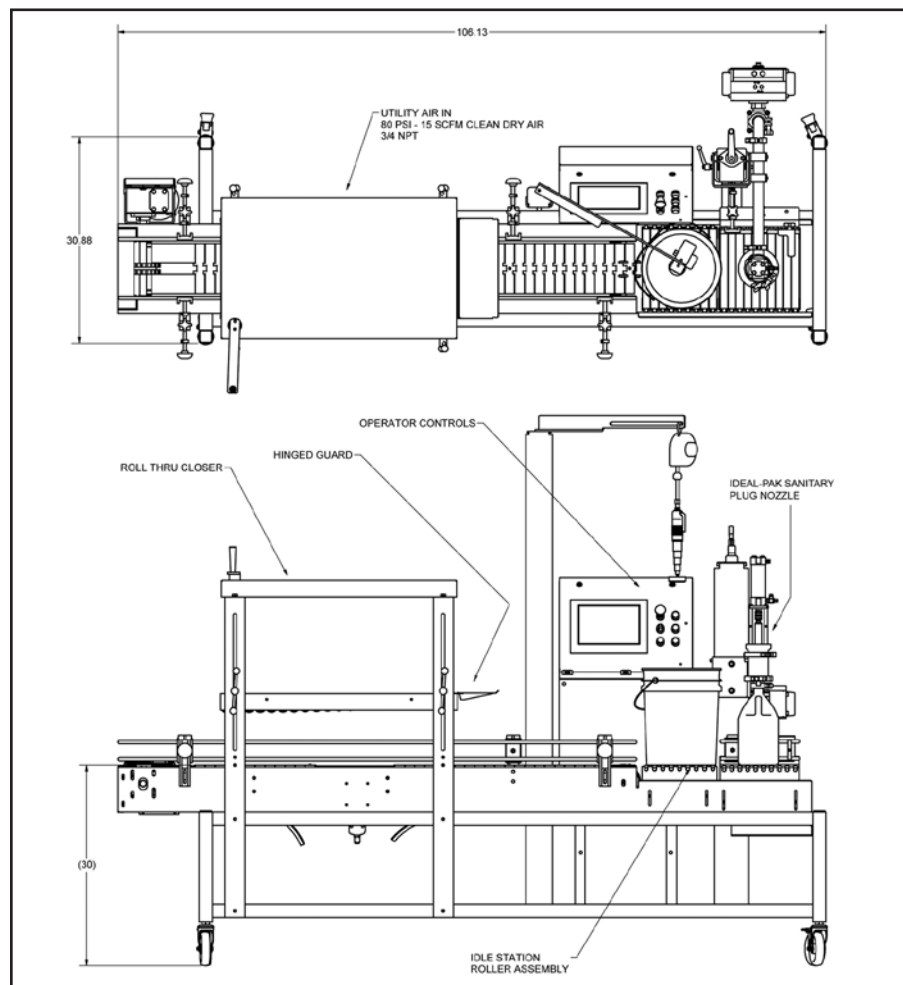
Ideal-Pak is also your first source for a wide variety of closing machines, lid placers and precision nozzles, plus parts and service, including Neupak.

May be covered by one or more of the following U.S. Patents: #5,505,233, #5,823,406, #6,148,877, #6,595,250

## Automatic Electronic Net Weight Liquid Filling Machine

MACHINE SPECIFICATIONS		
Electrical	120 Single Phase, 60HZ	
Air (per head)	5 CFM @ 80 PSI (Clean Dry Air)	
Speed (CPM) 1 Fill Head	Top Fill Estimated Range*	Bottom Fill Estimated Range*
Quart - 1 Gallon	4 - 8	3 - 4
5 Gallon - 6 Gallon	2 - 4	1 - 3
Accuracy: To Within $\pm$ .10 lbs		
*Estimated average range for open top & F-Style containers. Fill rates will vary depending on container size, container shape, fill opening, accuracy required, product supply, as well as individual product characteristics and operation mode.		

Subject to changes and modifications without notice.



### Electronic Net Weight Filling and Closing Machine for Bottom Filling 1 Gallon through 5 Gallon Containers (Open Top or F-Style)\*

#### OPTIONS

- Additional Product Contact Parts
- Additional Fill Carts (up to 2 heads)
- Air Diaphragm Pump Control
- DFS<sup>®</sup> Upgrade (Limited Nozzles)
- Extended Plug & Bottom Up Filling
- Gravity Roller Conveyors
- Hand Capper
- Lagable Level Pads
- Nitrogen Purge Controls
- Friction Lid Press Plate
- Purgeable Instrument Bezel
- Recommended Spare Parts Package
- Sanitary Product Contact Parts
- Type X NFPA 496 Control Module

\* Will also fill 1/2 pint, pint and quart containers if properly configured - consult factory.

May be covered by one or more of the following U.S. Patents: #5,505,233, #5,823,406, #6,148,877, #6,595,250

ME1-CES Rev. 06-2014

