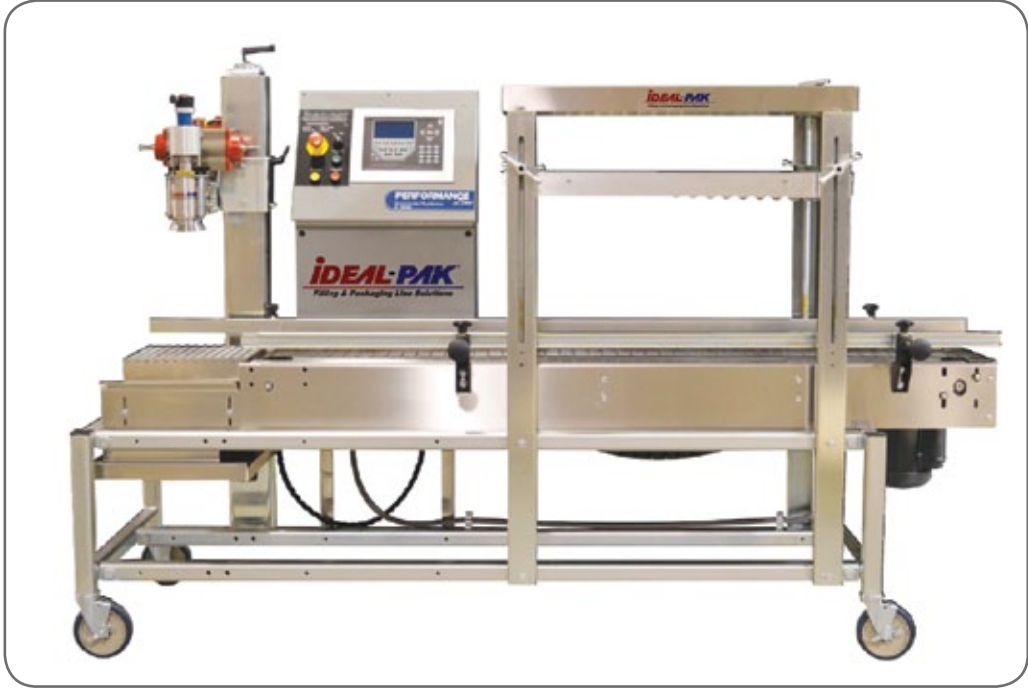


Semi-Automatic Electronic Net Weight Liquid Filling Machine



Shown with Top Fill Nozzle and Roll Through Closer

Net Weight Filling and Closing for 1/2 Pint to Pails

Model: ME1-CEM

FEATURES

- Fill by Weight
- Top Fill
- Metal or Plastic Containers
- Rice Lake Weight Controller
- Heavy-duty Casters with locks for portability
- Touch Pad HMI
- Rigid Steel Frame Construction
- Rollers on Scale

Sizes			
●	1/2 Pint	●	Pails
●	Pints		Kegs
●	Quart		Drums
●	Gallons		Totes

May be covered by one or more of the following U.S. Patents: #5,505,233, #5,823,406, #6,148,877, #6,595,250

Semi-Automatic Electronic Net Weight Liquid Filling Machine

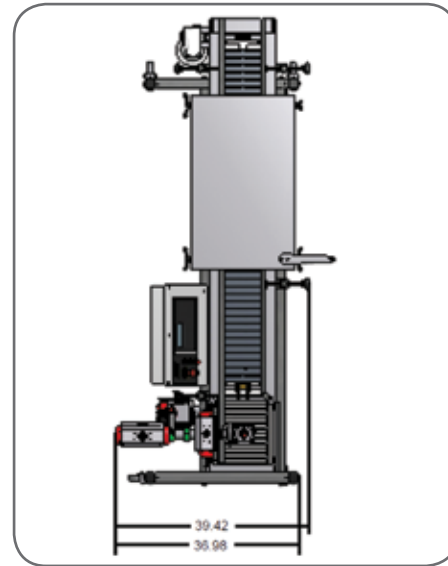
Machine Specifications	
Electrical	110 VAC, 1Ø, 60HZ
Air (per head)	5 CFM @ 80 PSI (Clean Dry Air)
Speed*	1 Head
Quart - 1 Gallon	4-8 cpm
5-6 Gallon	2-4 cpm
Accuracy: To Within $\pm .10$ lbs	
*Fill rates will vary depending on container size, container shape, fill opening, accuracy required, product supply, as well as individual product characteristics and operation mode.	

Since we continuously strive to improve our products, we reserve the right to make changes and modifications without notice.

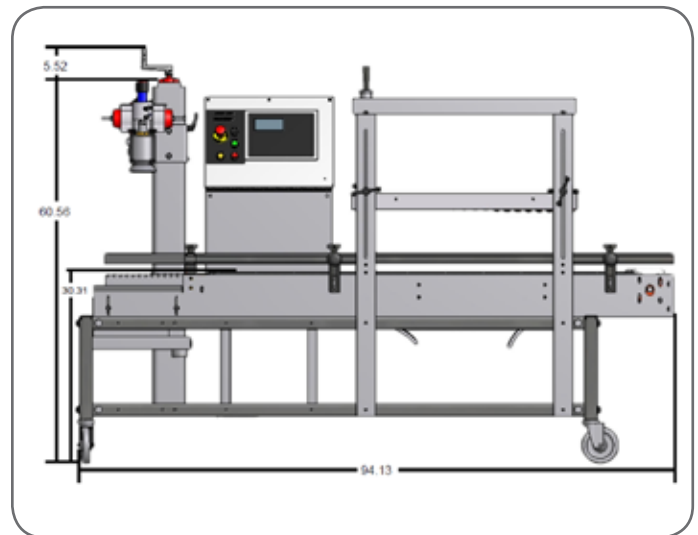
OPTIONS

- Additional Product Contact Parts
- Product Contact Parts Mounted on Fill Cart
- Additional Fill Carts (up to 2 heads)
- Gravity Roller Conveyors
- Extended Plug & Bottom Up Filling
- Sanitary Product Contact Parts
- DFS™ Upgrade (Limited Nozzles)
- Nitrogen Purge Controls
- Purgeable Instrument Bezel
- Type X NFPA 496 Control Module
- Hand Capper
- Air Diaphragm Pump Control
- Remote air operated Flush Control Box for Filling Module
- Flush Trough for Remote Cleaning
- Lagable Level Pads
- Recommended Spare Parts Package

Top View



Front View



May be covered by one or more of the following U.S. Patents: #5,505,233, #5,823,406, #6,148,877, #6,595,250



Industry Solutions Since 1949

Ideal-Pak Incorporated | 4607 Dovetail Drive | Madison, WI 53704
Phone: 608-241-1118 | Toll Free: 800-383-1128 | Fax: 608-241-4448 | www.ideal-pak.com



(Formerly Ideal Mfg. & Sales Corp.
and Neupak Division)