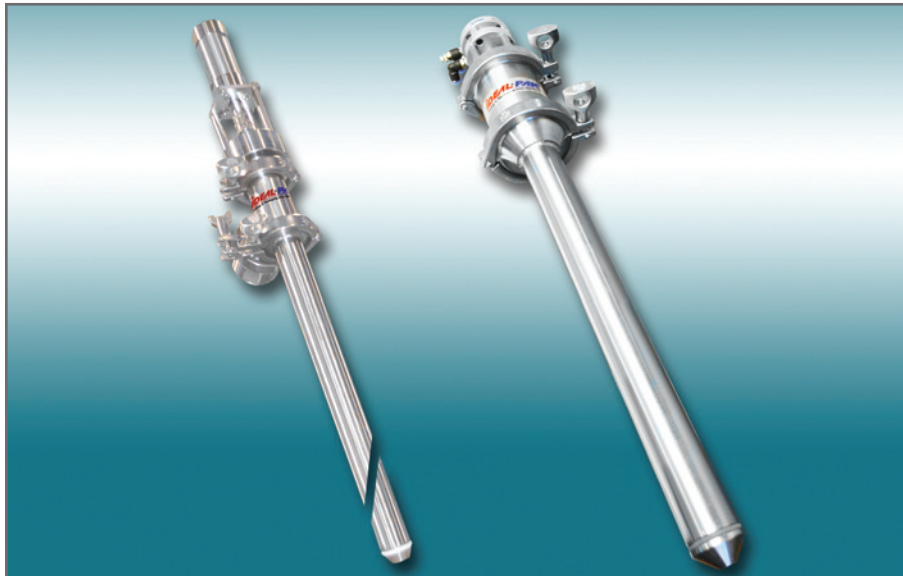


IDEAL-PAK PROBE NOZZLE FOR BOTTOM-UP FILLING OF FOAMY PRODUCTS



FILL PAILS, KEGS, DRUMS & TOTES

The Ideal-Pak Probe Nozzle is designed for bottom-up filling of a wide range of products, including liquid detergents, hydraulic fluids, liquid fertilizers, cleaners, herbicides, and solvents. The Probe Nozzle reduces static build-up and is well suited to filling foamy products. Available in long probe lengths for sub-surface and bottom-up filling in pails, kegs, drums and totes. The innovative quick assembly design allows for clean in place.

STANDARD PRODUCT FEATURES





- Allows for CIP (Clean In Place)
- Fills Foamy Products
- Fills Wide Variety of Containers
- Long Probe Lengths for Bottom-up and Subsurface Filling
- Minimizes Static Build-up
- Quick Assembly
- Tri-Clamps
- Wide Range of Lance Sizes

May be covered by one or more of the following U.S. Patents: #5,505,233, #5,823,406, #6,148,877, #6,595,250

CONTAINER SIZE

Small Containers			
• 1/2 Pint	• Pails		
• Pints			Kegs
• Quarts			Drums
• Gallons			Totes

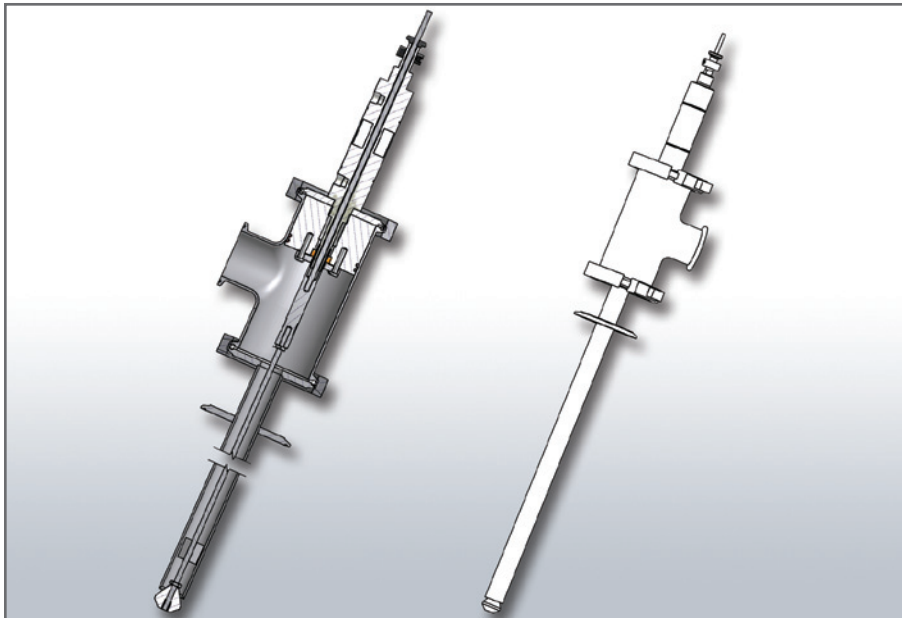
INDUSTRIES SERVED

Paints & Coatings	
Chemicals	
Lubricants	
Food & Beverage	

Optional Flush Attachment



High Performance Nozzles For Liquid Filling Machines



ABOUT IDEAL-PAK

Ideal-Pak Liquid Filling Machines are designed to increase your yields, productivity and efficiency. Choose from Automatic to Semi-Automatic or Manual Configurations to fill small containers up to drums and totes. Ideal-Pak customers are in the paint and coatings, lubricants, chemicals and food & beverage industries.

Choose Ideal-Pak for a wide variety of closing machines, lid placers and precision nozzles, plus parts and service.

CONTACT IDEAL-PAK PARTS & SERVICE

Phone: 608-316-6312

Email: service@ideal-pak.com

Ideal-Pak Line of High Performance Nozzles

Ideal-Pak has developed a variety of precision made nozzles to optimize the filling of virtually any liquid product. To learn more about the range of liquids and viscosities of our high performance nozzles for your application, contact your Ideal-Pak sales representative.



No-Weep 3 x 4 Plug Nozzle

Featuring a stronger shaft, improved plug, and no dam, the new Plug Nozzle is the next generation of innovative nozzle design. The wetted parts on this nozzle are Stainless Steel, Teflon and Viton.



Shower Head Nozzle

The Ideal-Pak Shower Head Nozzle with interchangeable plates is designed for rapid drip free filling of 1/2 pint to 6 gallon open top containers with adhesives, inks and paints. It is also great for filling light liquids such as light paints, solvents, stains and other low to mid-viscosity products.



Vented Cone Nozzle

The Ideal-Pak Vented Cone Nozzle works great on products that have a tendency to string or drip from a capillary nozzle. The stainless steel cone pinches the product off getting rid of the string. The umbrella shape of the stream directs product flow over greater surface area to reduce foaming.

Probe Nozzle Rev. 07-2014

